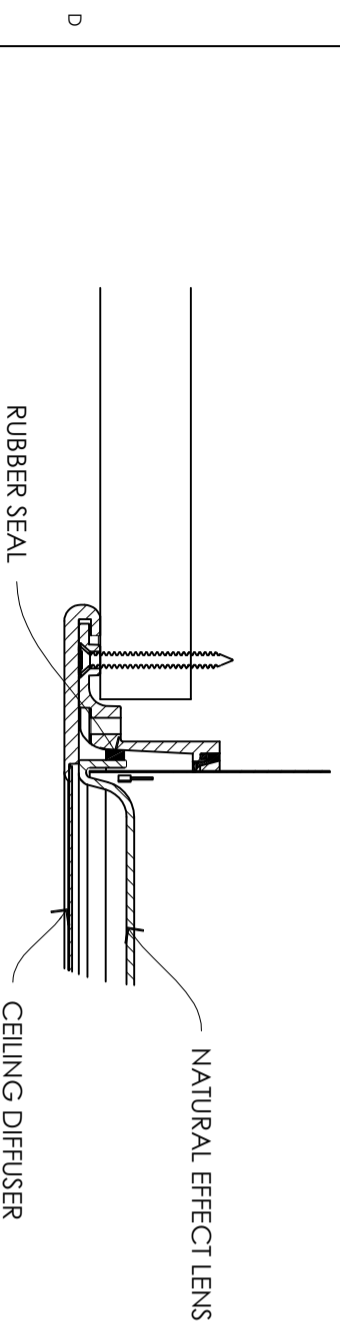


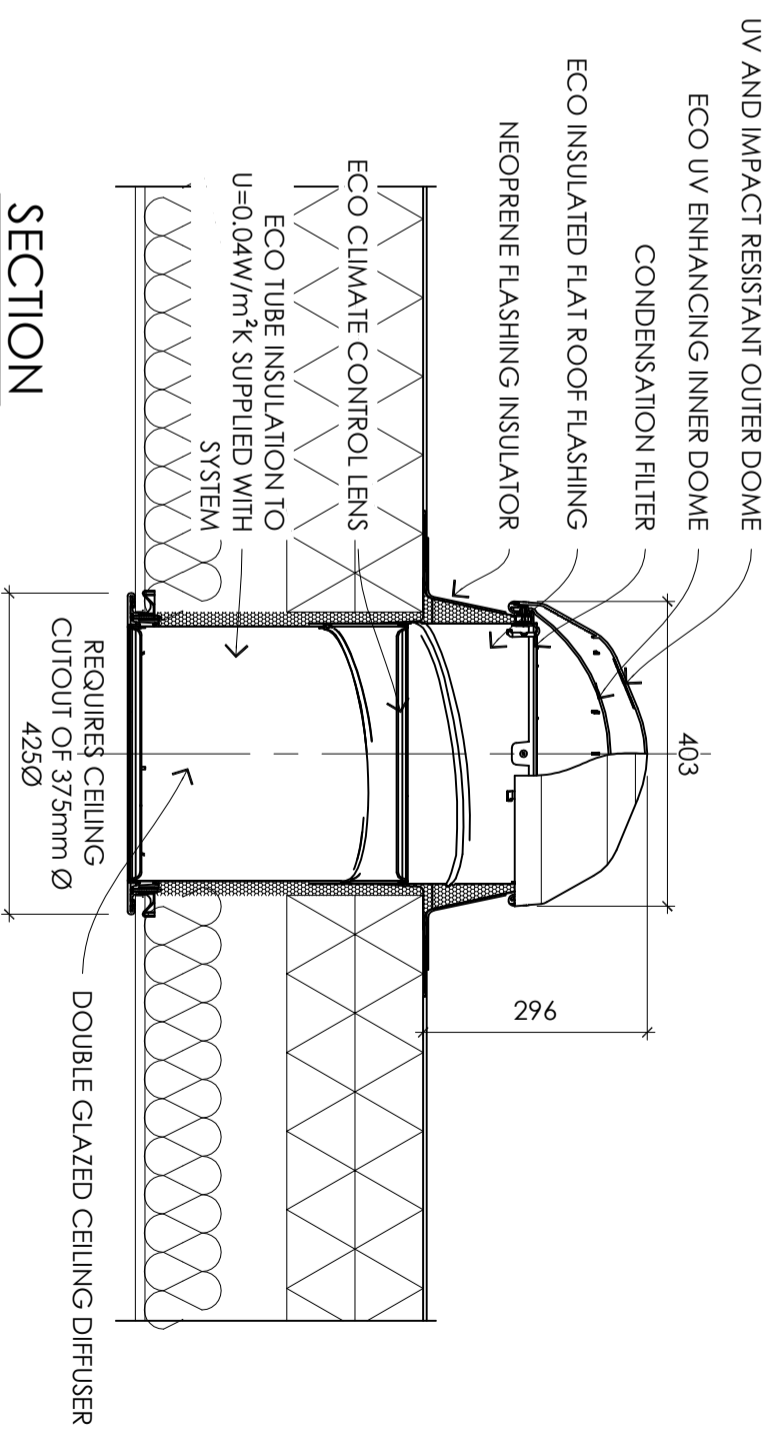
ROOF DOME AND UPSTAND DETAIL

SCALE 1:2



CEILING ASSEMBLY AND DIFFUSER DETAIL

SCALE 1:2

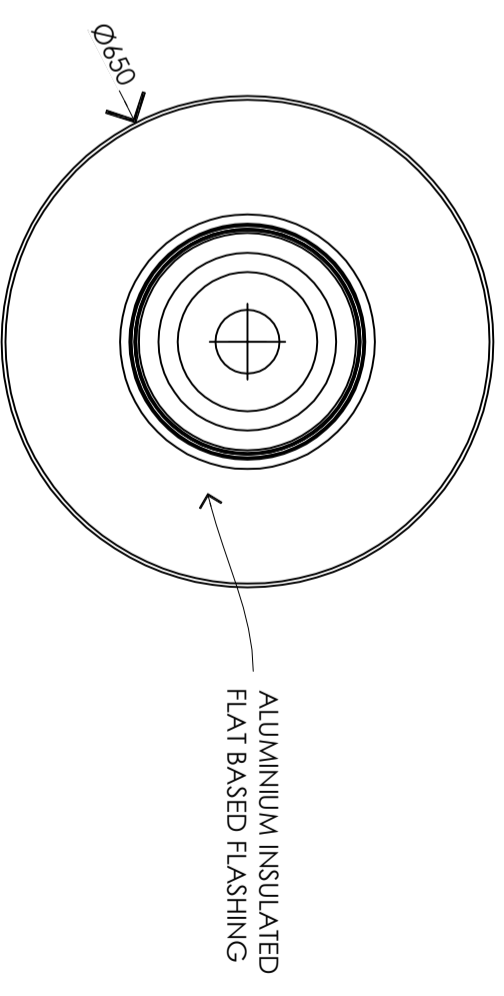


SECTION

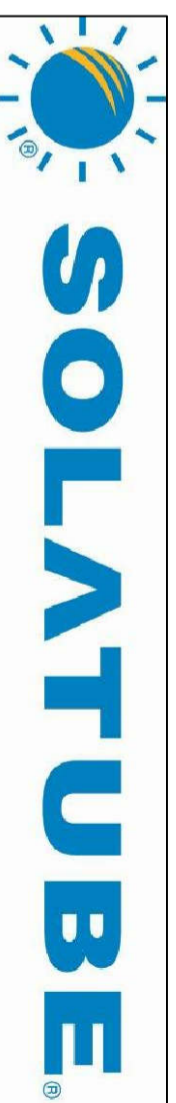
SCALE 1:10

FLAT ROOF FLASHING

SCALE 1:10



SPECIFIC ENERGY CARE OPTIMA COMPONENTS:	
<p>ECO • Insulated Roof Flashing</p>	<p>ECO • Inner Dome</p>
<p>ECO • Climate Control Lens</p>	<p>GENERAL</p> <p>All mirror surfaces use Solatube Spectralight Infinity 99.7% reflective</p> <p>COMPONENT LIST</p> <ul style="list-style-type: none"> • Eco flat roof flashing with insulator • Outer roof dome • Eco inner roof dome • Top tube with neoprene seal • Eco tube insulation • Ceiling tube assembly • Natural effect lens • Climate control lens • Ceiling diffuser • All fixings and fastenings



SolaLighting Limited

23 Oiler Way,
Olney Office Park,
Olney, MK46 5FP
T: 01234 241466
E: daylight@solatube.co.uk
W: www.solatube.co.uk

Drawing Title

SOLATUBE 290 DS (350mmØ) ENERGY CARE OPTIMA ENHANCEMENT 0.7 W/m²K

Description

FLAT ROOF DETAILS

DRAWING NO.

AUTHOR, DATE, PAGE, SCALE, REVISION

All dimensions in mm and rounded to nearest millimeter.

290 DS ECO_1