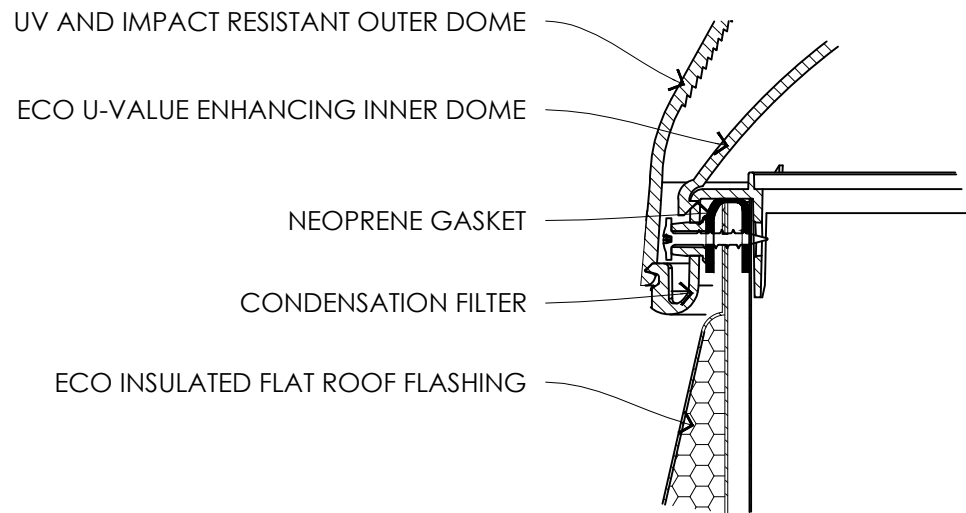


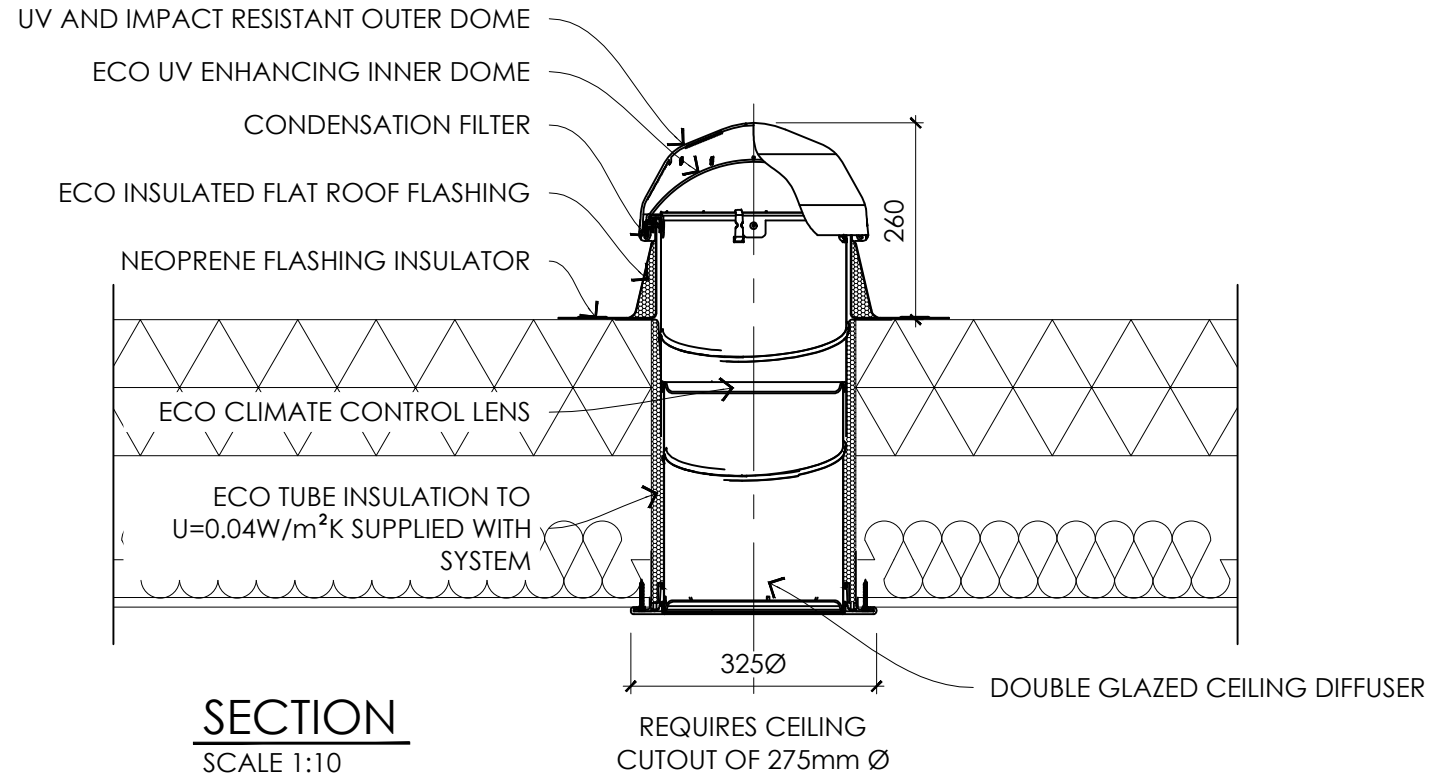
A



ROOF DOME AND UPSTAND DETAIL

SCALE 1:2

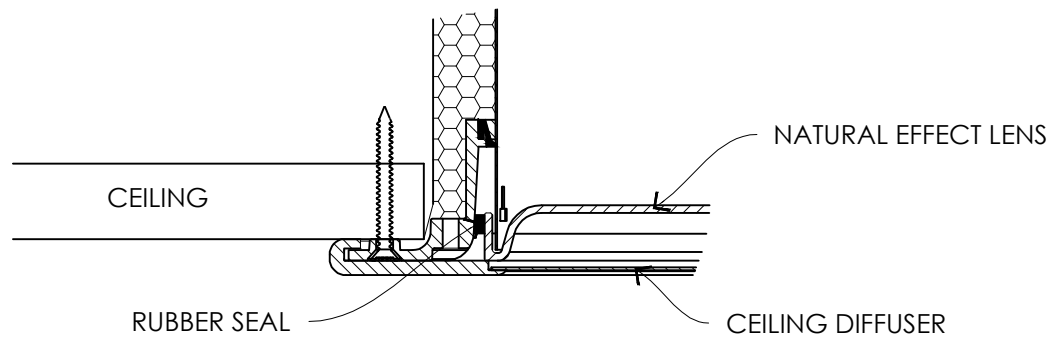
B



SECTION

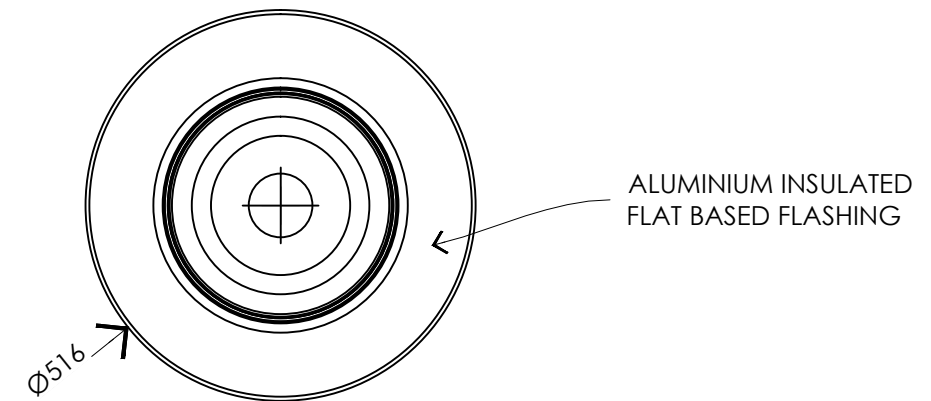
SCALE 1:10

C



CEILING ASSEMBLY AND DIFFUSER DETAIL

SCALE 1:2



INSULATED FLAT ROOF FLASHING 516Ø

SCALE 1:10

D

E

SPECIFIC ENERGY CARE OPTIMA COMPONENTS:		GENERAL
<p>ECO • Insulated Roof Flashing</p>	<p>ECO • Inner Dome</p>	All mirror surfaces use Solatube Spectralight Infinity 99.7% reflective
		<p>ECO • Climate Control Lens</p>
		<ul style="list-style-type: none"> Eco flat roof flashing with insulator Outer roof dome Eco inner roof dome Top tube with neoprene seal Eco tube insulation Ceiling tube assembly Natural effect lens Climate control lens Ceiling diffuser All fixings and fastenings



SolaLighting Limited

23 Osier Way,
Olney Office Park,
Olney, MK46 5FP
T: 01234 241466
E: daylight@solatube.co.uk
W: www.solatube.co.uk

Drawing Title
SOLATUBE 160 DS (250mmØ) ENERGY CARE OPTIMA ENHANCEMENT 0.5W/m²K

Description
FLAT ROOF DETAILS

AUTHOR. DATE. | PAGE. SCALE. | REVISION
PSDS 16.3.16 | A3 1:10/1:2 | P3

All dimensions in mm and rounded to nearest millimetre.

DRAWING NO.
160 DS ECO_1