



SOLATUBE. Flat roof flashing



Parts list

	Qty
Tile flashing	1
Flashing insulator	1
Flashing screws 50mm (in fastener kit)	8
Sealant cartridge	1

First complete the Solatube 160DS & 290DS installation guide Steps 1- 4

Step 1 – affix the flashing insulator

Align the flashing insulator to the underside of the roof flashing, matching the centres, and apply the aluminium tape provided firmly along each outside edge of the flashing insulator to securely fix the flashing insulator to the flashing (**diagram A**). Later, when the top tube is inserted into the flashing up-stand, the flashing insulator will be stretched around the tube, creating a seal.

Step 2 – prepare the roof surface and flashing

Sweep away any loose gravel from the roof area where the flashing will be located. If the roof is felt or rolled roofing, simply remove any dirt or loose granules with a brush. If the roof is hot tarred and gravel, scrape away the embedded gravel and excess tar with a flat or spud bar. The roof surface under the flashing and 75 mm beyond the edge must be smooth, level, clean and dry. Drill 8 x 5mm diameter holes around the edge of the flashing base between the eight existing holes (**diagram B**).

Step 3 – mark and cut the roof flashing hole

Centre the top tube assembly over the nail/wire probe and mark around the outside circumference onto the felt. Remove the top tube assembly and cut the marked hole through the roof deck. Clean the area of sawdust and debris from around the roof hole (**diagram C**).

Centre the flashing over the cut hole and insert the top tube assembly through the flashing, flashing insulator and into the hole. Mark around the outside edge of the octagonal flashing and place the flashing and top tube assembly to one side.

Step 4 – apply sealant

Apply a generous bead of sealant to the roof 25mm inside the perimeter of the octagonal flashing mark. Also apply a generous bead of sealant on the metal underside of the flashing, 25mm in from the outside edge (**diagram D**).

Step 5 – seal the flashing to the roof

Lower the flashing onto the roof, matching the outer edge to your mark and make sure that it is seated correctly and the sealant has made a complete and watertight seal. Fasten the flashing to the roof with the 50mm flashing screws provided (**diagram E**).

Screws should be firm, but not over tight. Apply another bead of sealant to the outer edge of the flashing, spreading it evenly to seal the flashing edge to the roof surface. Apply sealant to all flashing screw heads. On gravel roofs, sweep gravel back over the base of the flashing.

Diagram A

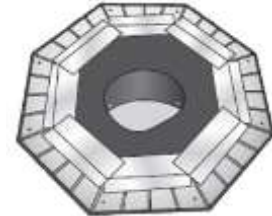


Diagram B

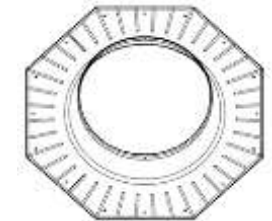


Diagram C

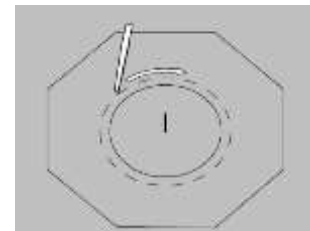


Diagram D

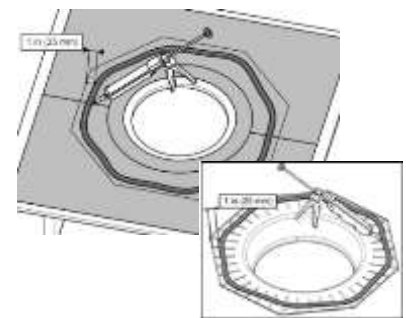
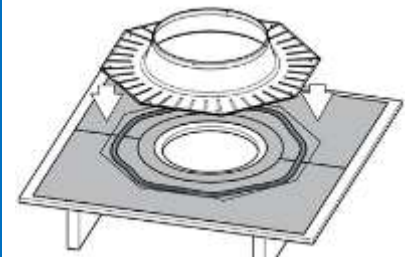


Diagram E



Please now continue to Step 6 of the Solatube 160DS and 290DS installation guide