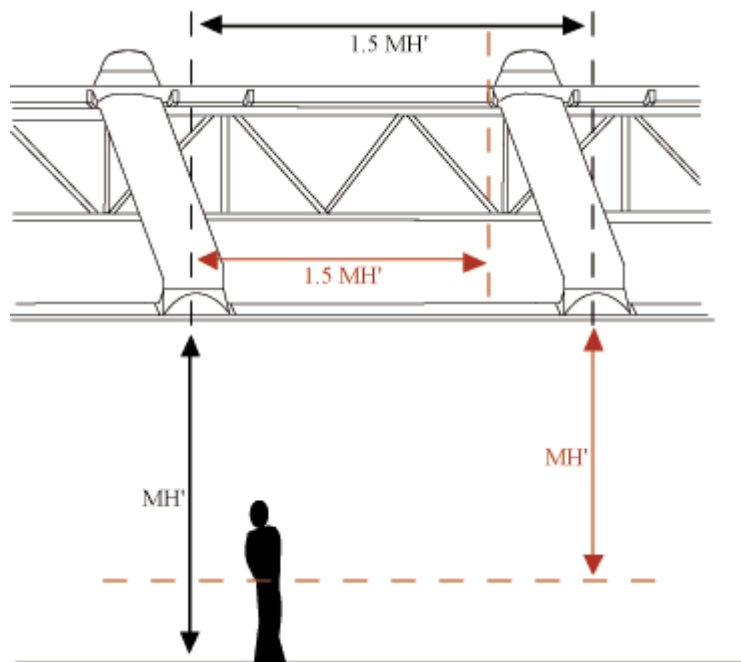


Solatube® Spacing Criteria

To determine the appropriate spacing of the Solatube products, use the recommended spacing criteria. Spacing is based on the mounting height (MH) of the diffuser above the work plane (i.e. desk top for offices or floor for corridors) to be illuminated. These guidelines help to achieve optimum uniformity of illumination.

Space Type and Spacing Criteria			
Spacing	Enclosed Spaces ¹	Open Plan Spaces ²	Open Ceiling Spaces ³
From Walls	Spacing $\geq 0.5 \times \text{MH}$ ($1.0 \times \text{MH}$ = maximum)	Spacing $\geq 0.5 \times \text{MH}$ ($1.0 \times \text{MH}$ = maximum)	Spacing $\geq 0.5 \times \text{MH}$ ($0.8 \times \text{MH}$ = maximum)
Between Units	$1.0 \times \text{MH} < \text{spacing} < 1.3 \times \text{MH}$ (maximum spacing = $1.5 \times \text{MH}$)	$1.0 \times \text{MH} < \text{spacing} < 1.3 \times \text{MH}$ (maximum spacing = $1.5 \times \text{MH}$)	$0.8 \times \text{MH} < \text{spacing} < 1.0 \times \text{MH}$ (maximum spacing = $1.5 \times \text{MH}$)
Tips	Using a single unit to light more than a 5m x 5m space may cause shadowing of wall surfaces and unacceptable uniformity of work surface illumination.	Using a single unit to light more than a 48 m ² . partitioned space may cause unacceptable shadowing of desk surfaces.	Racking and shelving systems may cause unacceptable shadowing when units are not placed over circulation aisles.



Notes:

- 1 Enclosed spaces should generally be no larger than 5 m square and should not have any interior partitions that subdivide the space into smaller work areas. Examples of enclosed spaces include offices, kitchens, bathrooms, and small to moderate sized meeting and conference rooms.
- 2 Examples of open plan spaces are open plan offices, hallways, large reception areas, classrooms, showrooms, and restaurant dining rooms.
- 3 Open ceiling spaces are spaces without finished ceilings, where the underside of the roof decking and the roof structure is exposed. Examples of open ceiling spaces include warehouse racking aisles, warehouse shipping/receiving areas, and manufacturing areas.



SolaLighting Limited, 23 Osier Way, Olney Office Park, Olney, MK46 5FP
 Tel 01234 241466 Fax 01234 241766
 Email: daylight@solatube.co.uk Website: www.solatube.co.uk